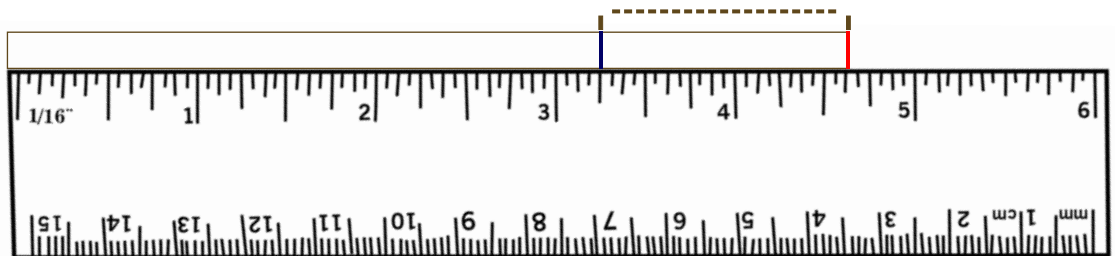
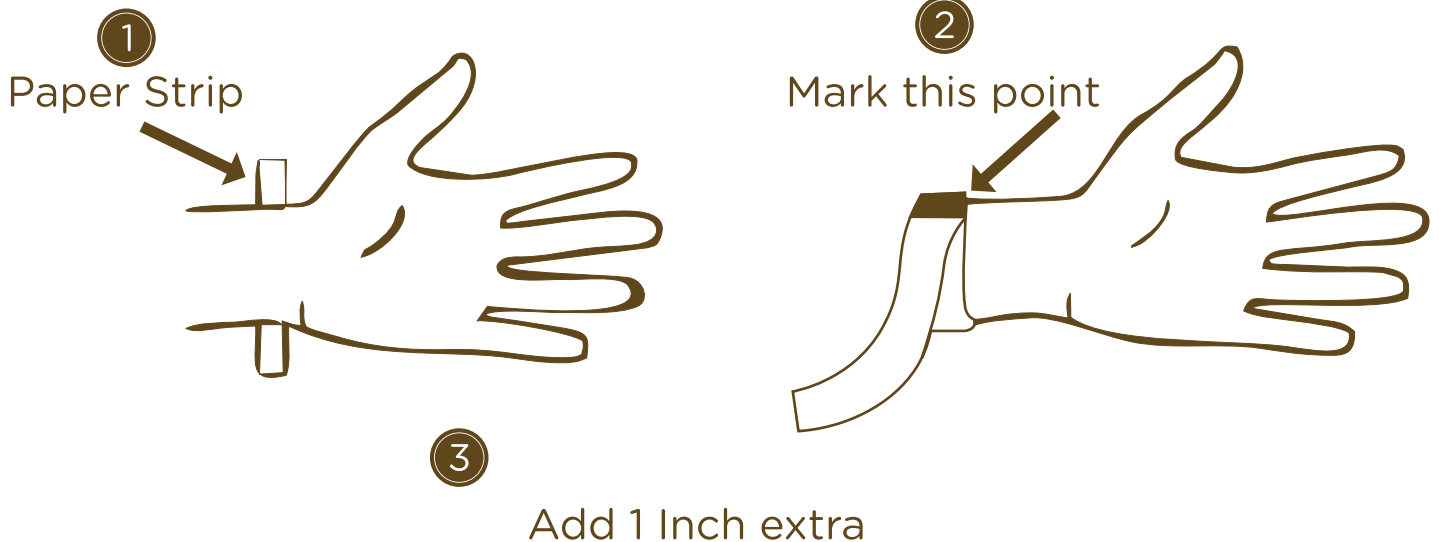


BRACELETS SIZE CHART

METHOD 1

If You Don't Have A Bracelets

What You need : A thin strip of paper, a pen and a ruler



LENGTH (IN)	LENGTH (CM)
3.1	8
3.5	9
3.9	10
4.3	11
4.7	12
5.1	13
5.5	14
5.9	15

LENGTH (IN)	LENGTH (CM)
6.3	16
6.7	17
7.1	18
7.5	19
7.9	20
8.3	21
8.7	22
9.1	23

J
Jewelroof
ethnic | contemporary | modern

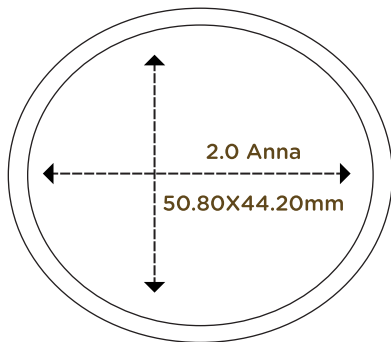
BRACELETS SIZE CHART

METHOD 2

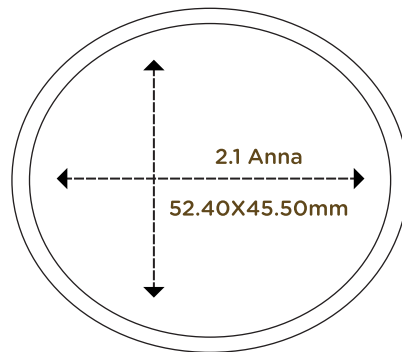
FIND YOUR BRACELET SIZE

1. Print this page and compare the below printed scale with a real one.
2. Scale comparisons is must.
3. Place a existing bracelet above the scale and note the inner diameter in mm.
4. Use the bracelet size chart to check the size in mm against the preferred column below.

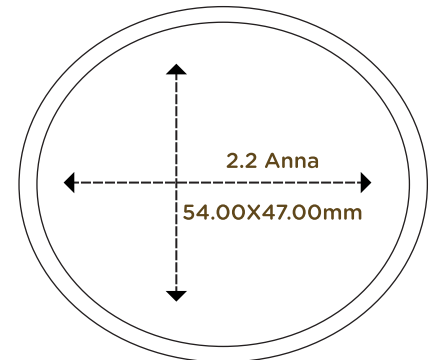
2.0 Anna Oval Bangle



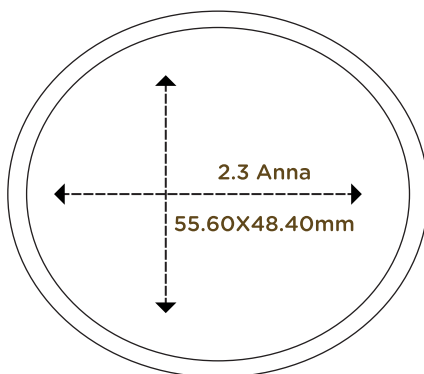
2.1 Anna Oval Bangle



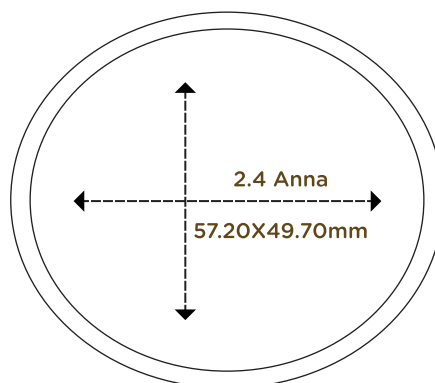
2.2 Anna Oval Bangle



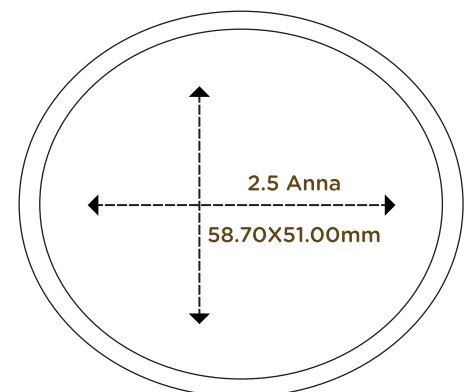
2.3 Anna Oval Bangle



2.4 Anna Oval Bangle



2.5 Anna Oval Bangle

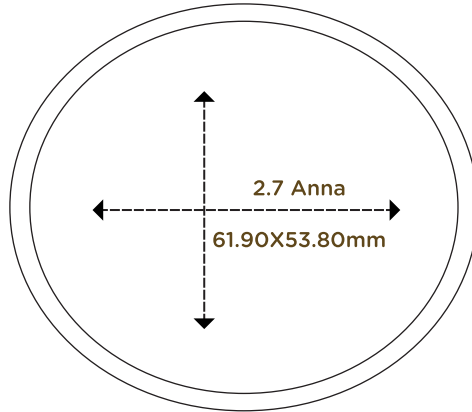


BRACELETS SIZE CHART

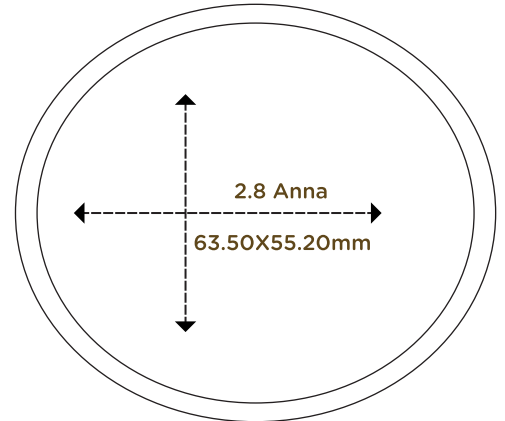
2.6 Anna Oval Bangle



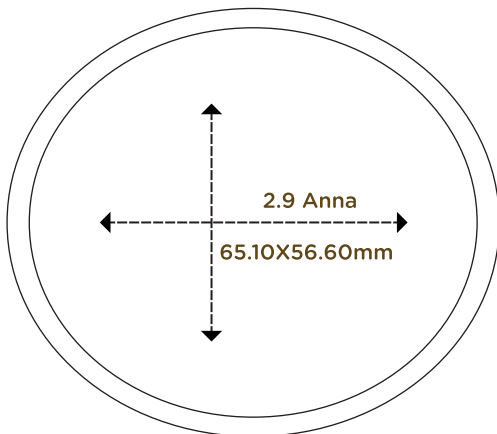
2.7 Anna Oval Bangle



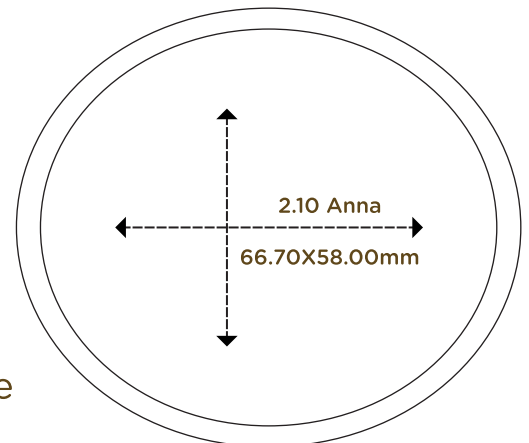
2.8 Anna Oval Bangle



2.9 Anna Oval Bangle



2.10 Anna Oval Bangle



2.11 Anna Oval Bangle

